



**WALL MOUNTED ELEGANT SPEAKERS**



CW-105W/4

CW-105W/5

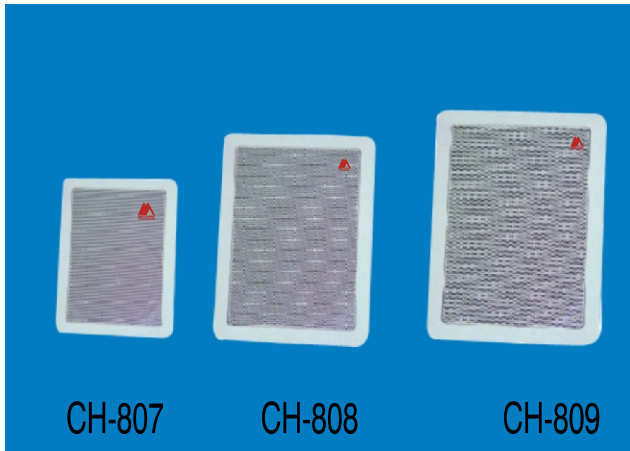
CW-105W/6



CW-105B/4

CW-105B/5

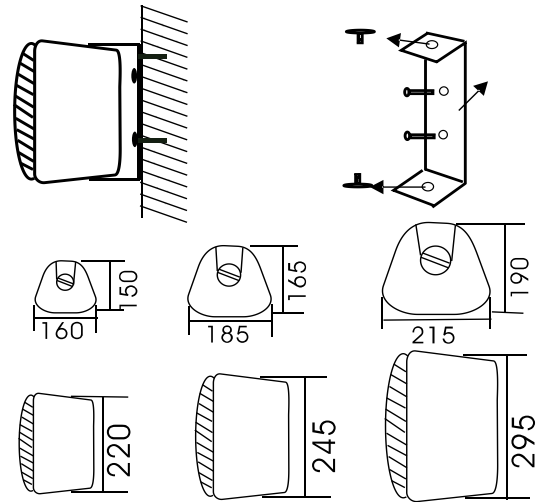
CW-105B/6



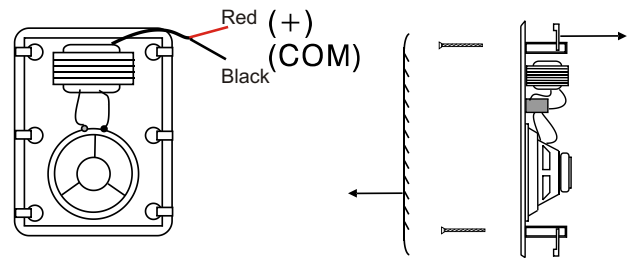
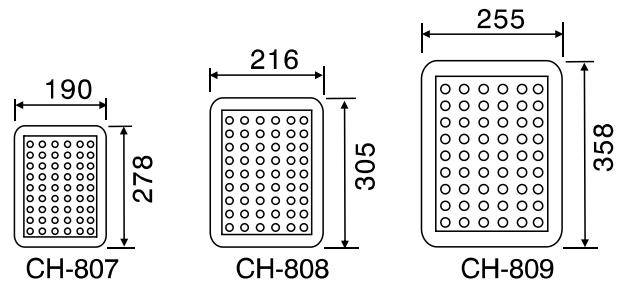
CH-807

CH-808

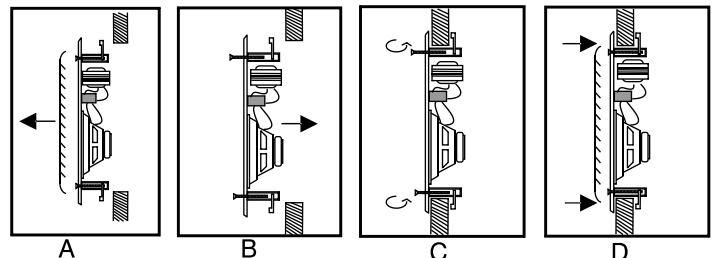
CH-809



| MODE               | CW-105W(B)/4     | CW-105W(B)/5    | CW-105W(B)/6     |
|--------------------|------------------|-----------------|------------------|
| RATED POWER        | 20W              | 30W             | 40W              |
| LINE VOLTAGE       | 70~100V          | 70~100V         | 70~100V          |
| SENSITIVITY(1w,1m) | 89±3dB           | 90±3dB          | 91±3dB           |
| FREQ. RESP.        | 80Hz-20KHz       | 75Hz-20KHz      | 70Hz-20KHz       |
| DIMENSIONS(HxWxL)  | 215 x 170 x150mm | 242 x182 x162mm | 284 x 215 x189mm |



| MODE         | CH - 807   | CH - 808   | CH - 809    |
|--------------|------------|------------|-------------|
| Line Voltage | 70~100V    | 70~100V    | 70~100V     |
| Freq - Resp  | 45-18KHz   | 50-18KHz   | 50-20KHz    |
| Wattage      | 20W        | 30W        | 40W         |
| Speakers     | 248 x165   | 272 x 185  | 325 x 223   |
| H x W x D    | 250X160X72 | 275X190X82 | 330X225X100 |
| S P L        | 90±3 ab    | 91±3 ab    | 92±3 ab     |



**NOTE :** The Company's policy is continuous improvement of its products.  
We therefore reserve the right of any deviation from illustration or specification without notice.