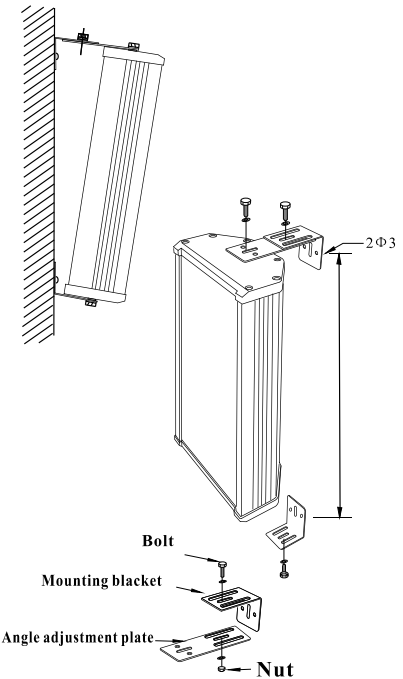
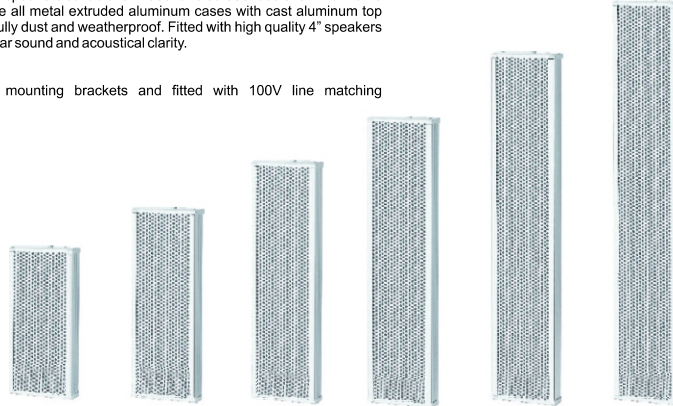




Weatherproof Column Speakers

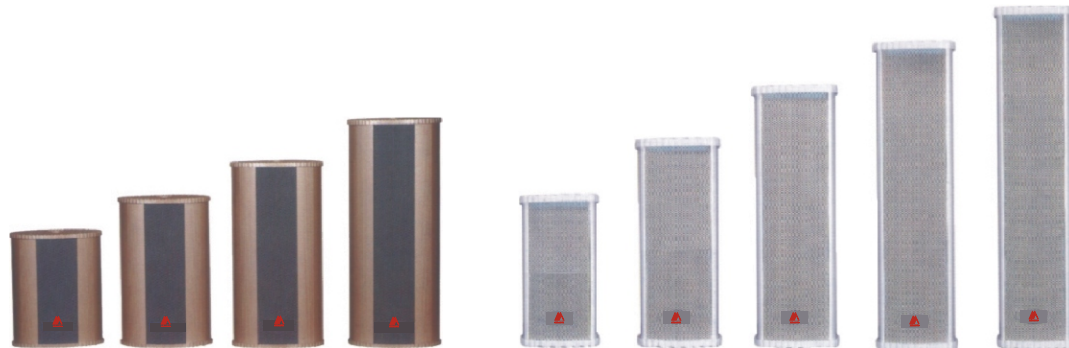
High quality, heavy duty speakers suitable for indoor and outdoor use even in extreme weather conditions. The all metal extruded aluminum cases with cast aluminum top and bottom plates are fully dust and weatherproof. Fitted with high quality 4" speakers which produce good clear sound and acoustical clarity.

Supplied with strong mounting brackets and fitted with 100V line matching transformers.



Model	CS-810	CS-820	CS-830	CS-840	CS-850	CS-860
Speaker Array	6" Full Range x 1	6" Full Range x 2	6" Full Range x 3	6" Full Range x 4	6" Full Range x 5	6" Full Range x 6
Rated power	10W	20W	30W	40W	50W	60W
Line voltage	100V	100V	100V	100V	100V	100V
Sensitivity (1m, 1W)	94 ± 3dB	95 ± 2dB	96 ± 2dB	97 ± 2dB	98 ± 2dB	100 ± 2dB
Frequency response	150~13KHz	150~13KHz	150~13KHz	150~13KHz	150~13KHz	150~13KHz
Input Impedance(Ω)	1KΩ 2KΩ	500Ω 1KΩ	333Ω 666Ω	250Ω 500Ω	200Ω 400Ω	160Ω 333Ω
Material	Aluminum	Aluminum	Aluminum	Aluminum	Aluminum	Aluminum
Dimensions (mm) WxDxH	227 x 125 x 304	227 x 125 x 520	227 x 125 x 736	227 x 125 x 952	227 x 125 x 1168	227 x 125 x 1384
Weight	5 kg	7 kg	9 kg	11 kg	13 kg	15 kg

Weatherproof Column Speakers



Model	CS-210	CS-220	CS-230	CS-240
Speaker Array	4" Full Range x 1 2.5" Tweeter x 1	4" Full Range x 2 2.5" Tweeter x 1	4" Full Range x 3 2.5" Tweeter x 1	4" Full Range x 4 2.5" Tweeter x 1
Rated power	15W	30W	45W	60W
Line voltage	100V	100V	100V	100V
Sensitivity (1m, 1W)	89 ± 2dB	89 ± 2dB	89 ± 2dB	89 ± 2dB
Frequency response	140~14KHz	140~14KHz	140~14KHz	140~14KHz
Input Impedance(Ω)				
Material				
Dimensions (mm) WxDxH	250 x 160 x 310	250 x 160 x 410	250 x 160 x 510	250 x 160 x 610
Weight	3 kg	5.5 kg	8 kg	10.5 kg

Model	CS-301	CS-302	CS-303	CS-305	CS-306
Speaker Array	3.5" Full Range x 1 2.5" Tweeter x 1	3.5" Full Range x 2 2.5" Tweeter x 1	3.5" Full Range x 3 2.5" Tweeter x 1	3.5" Full Range x 4 2.5" Tweeter x 1	3.5" Full Range x 4 2.5" Tweeter x 1
Rated power	5W	10W	15W	20W	25W
Line voltage	100V	100V	100V	100V	100V
Sensitivity (1m, 1W)	88 ± 3dB	88 ± 3dB	88 ± 3dB	88 ± 3dB	88 ± 3dB
Frequency response	140~14KHz	140~14KHz	140~14KHz	140~14KHz	140~14KHz
Input Impedance(Ω)					
Material					
Dimensions (mm) WxDxH	110 x 110 x 285	110 x 110 x 400	110 x 110 x 590	110 x 110 x 730	110 x 110 x 870
Weight	1.4 kg	2.2 kg	3 kg	3.8 kg	4.6 kg

NOTE : The Company's policy is continuous improvement of its products. We therefore reserve the right of any deviation from illustration or specification without notice.

BANGALORE

9, Sri Narasimharaja Road
P.O. Box No. 6673
Bangalore - 560 002

Tel. : 080 2235640
09341272583

KOLKATA

25, Jawaharlal Nehru Road,
P.O. Box No. 2589
Kolkata - 700 087

Tel. : 033 22493831
Fax : 033 22496626

NEW DELHI

Tel. : 98 103 56563

FACTORY

65, Electronic City,
Hosur Road.,
Bangalore - 561 158

Tel. : 080 285 20151
: 080 28520556

**"Gyan Ghar". 14th Road, Khar (W), Mumbai -400 052 Tel: 2604 7394, 2604 2648, 2605 1620. Fax : 2605 9454
E- Mail : motwane_g@vsnl.net / ctrcpl@yahoo.co.in (Website : www.chicago-radio.net)**